

EGSM Variable Band Selective Repeater

EEA60B1V48
EEA60B1V220

- **Adjustable bandwidth**
- **High RF power**
- **EDGE Compatible**
- **Network transparency**
- **Cost-effective BTS alternative**
- **Easy to install**
- **Local/remote management**



EGSM Variable Band Selective Repeater

Teko Telecom Variable Band Selective repeater is a versatile and competitive equipment designed to optimize EGSM coverage and to enhance RF signals within shadow areas.

Teko Telecom EEA60B1V Repeater allows both the interface with donor BTS and the coverage of the shadow area by using two separate antennas, with no need of any expensive interconnection with the Operator Network.

Its network transparency and easy installation, make shadow areas enhancement possible with very low effort.

48Vdc and 230Vac versions are available.

The enclosure ensures IP65 protection degree.

The repeater can be managed locally through a RS232 port or remotely via a built-in PSTN or GSM/DCS modem.

Mobile Operators can easily empower their sole frequencies and even in case of frequency planning modification they can apply changes by remote with no need of re-tuning.

Teko Telecom Repeaters give the mobile operator a cost effective and reliable solution due to robust design, low power consumption and remote management.

Technical Specifications

EEA60B1V48 EEA60B1V220

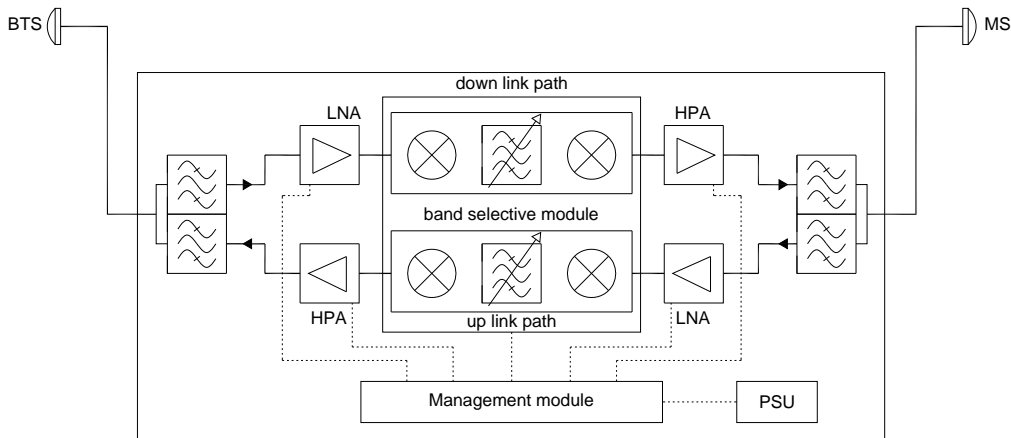
SPECIFICATIONS	EEA60B1V48 48Vdc MODEL	EEA60B1V220 230Vac MODEL
Up Link operating frequency band	880MHz ÷ 915MHz	
Down Link operating frequency band	925MHz ÷ 960MHz	
Number of amplified bands	1	
Programmable Bandwidth	Up to 16.5MHz / 10kHz step	
Downlink maximum average output power	30dBm composite (27dBm/ch with 2 carriers)	
Uplink Noise Figure @ maximum gain	8dB	
Gain	50dB up to 80dB / 1dB step	
Ripple into operating band	± 2dB	
Total processing delay	6µs	
Return Loss	14dB	
ALC threshold (default value)	3dB over nominal output power (this value can be changed on site)	
Spurious emissions and intermodulation products	< -36dBm (in the frequency band 9kHz ÷ 1GHz) < -30dBm (in the frequency band 1GHz ÷ 12.75GHz)	
Local Control Interface	RS232	
Remote Control Interface	PSTN – GSM/DCS modem	
Power Supply	-72 ÷ -36Vdc	-72 ÷ -36Vdc 85÷265Vac (50-60Hz)
Power Consumption	110W at 48Vdc	140VA at 230Vac
Operating Temperature (*)	-20°C up to +55°C	
Degree of protection provided by enclosure	IP65	
RF connectors	7/16 female	
Dimensions (h-w-d)	423x395x230mm (max volume - heat sinks included)	

All values are typical at 25°C unless otherwise specified

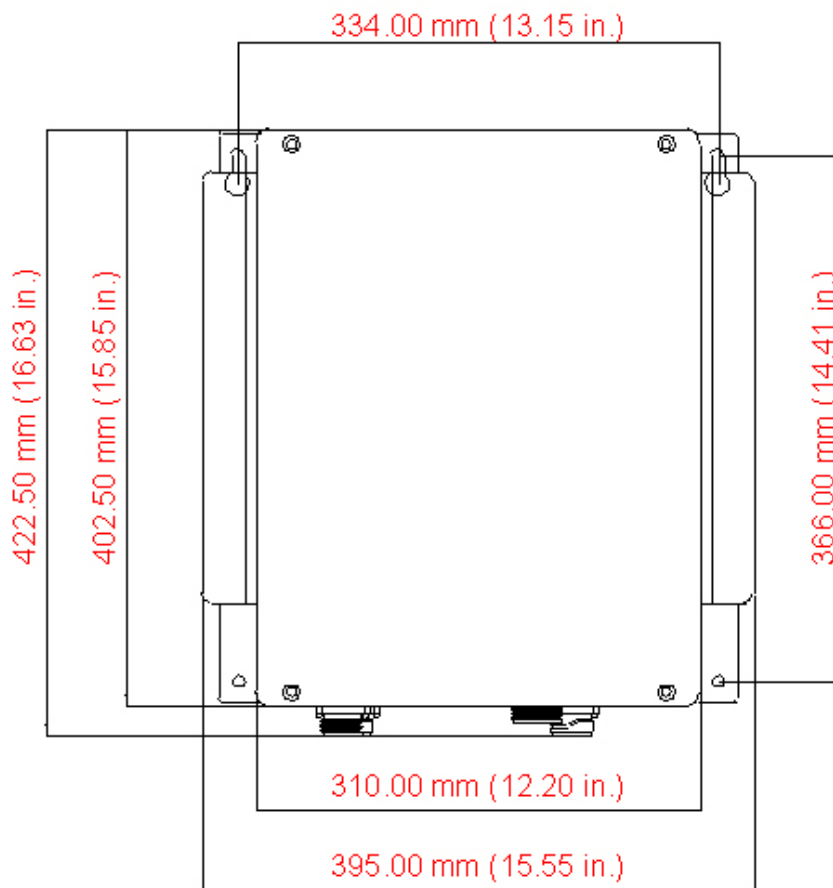
Specifications subject to change without notice

(*) Degraded performances from +50°C to +55°C

Block Diagram



Mechanical Drawing



EGSM Variable Band Selective Repeater

Teko Telecom SpA
 Via Meucci 24 — 40024 Castel San Pietro Terme (Bologna) - Italy
 Tel +39 051 625 61 48 Fax +39 051 625 76 70
 www.tekotelecom.it
 Email info@tekotelecom.it

I dati e le caratteristiche contenuti in questo catalogo potranno subire variazioni connesse all'evoluzione dei prodotti. Gli apparati e i sistemi Teko Telecom sono utilizzabili solo in conformità alle normative, omologazioni e concessioni in vigore nei vari paesi di utilizzo. Su richiesta del cliente la Teko Telecom fornirà informazioni sulla compatibilità radioelettrica e normativa.
Characteristics and data contained in this datasheet can be changed by Teko Telecom following the products evolution. Teko Telecom equipment and systems can only operate in compliance with the laws, certifications and licences in force in the country in which they are intended to be used. On Customer demand, Teko Telecom will provide information on the electromagnetic compliancy and provisions of the law.

